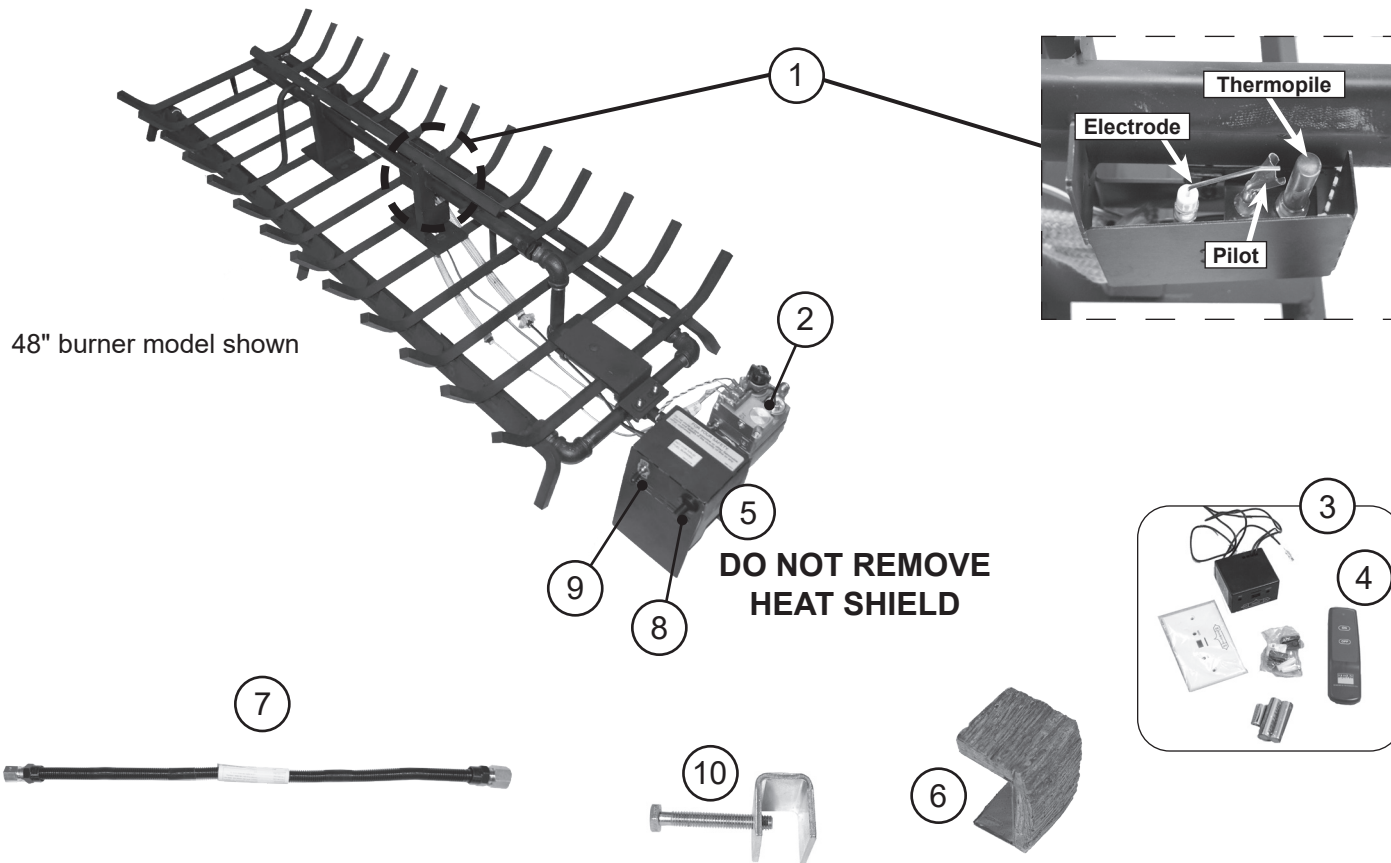


# EPIC BURNER SEE-THRU PARTS LIST - 10 SERIES



48" burner model shown

**DO NOT REMOVE HEAT SHIELD**

**Note: Photos not to scale**

**Replacement parts can be ordered from your local Real Fyre dealer.**

Item	Description	36" model		48" model		60" model	
		Part No.	Qty.	Part No.	Qty.	Part No.	Qty.
1.	Pilot assembly (natural) or Pilot assembly (propane)	PAC-19 PAC-19P	1 1	PAC-19 PAC-19P	1 1	PAC-19 PAC-19P	1 1
2.	Control valve (natural or propane)	SV-5	1	SV-5	1	SV-5	1
3.	Remote kit * † (includes receiver, transmitter, batteries, plastic cover)	RR-1A	1	RR-1A	1	RR-1A	1
4.	Remote transmitter (only) *	AT-R1-1	1	AT-R1-1	1	AT-R1-1	1
5.	Valve heat shield	HS-53	1	HS-53	1	HS-53	1
6.	Decorative heat shield * †	HS-36	1	HS-36	1	HS-36	1
7.	Flex connector (w/ adapter), 1/2" O.D. x 24"	CK-5-24-SP	1	CK-5-24-SP	1	CK-5-24-SP	1
8.	Piezo igniter	PZ-1	1	PZ-1	1	PZ-1	1
9.	Toggle switch	SW-2	1	SW-2	1	SW-2	1
10.	Damper clamp	DC-1	1	DC-1	1	DC-1	1

\* if equipped

† to add a remote system to a 10M model, use RR-1A and HS-36